

● Miniature circuit breaker MCB 1+N

●
New!



●
ETI

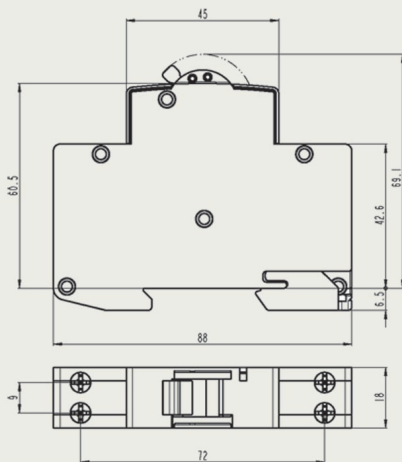
TECHNICAL DATA

Rated voltage U_n	230 V a.c.
Rated current I_n	6-32 A
Rated frequency f_n	50Hz
Rated short-circuit capacity	6.000 A
Tripping characteristic	B or C
Terminals	1-10 mm²
Build-in width	18 mm
Standard	IEC 60898, EN 60898

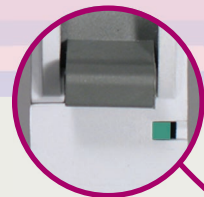
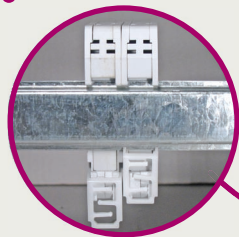
MCB 1+N

I_n [A]	code No. B	code No. C	packaging [pcs]
6	002191101	002191121	1/12
10	002191102	002191122	1/12
13	002191103	002191123	1/12
16	002191104	002191124	1/12
20	002191105	002191125	1/12
25	002191106	002191126	1/12
32	002191107	002191127	1/12

* Available in the second half of the year 2006.



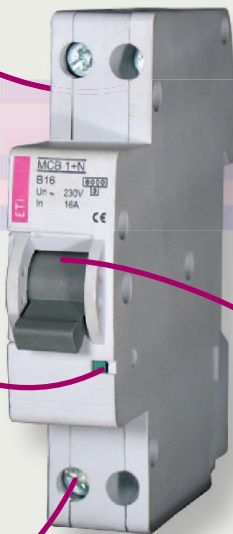
→ New method of mounting on the DIN rail and simple replacement



→ Indication of contacts' state



→ MCB in 1-module housing



→ Sealing possibility



The logo consists of the letters 'ETI' in a bold, white, sans-serif font. The letters are slightly slanted to the right. The 'E' and 'T' are connected at the top, and the 'I' is positioned to the right of the 'T'.

ETI

www.eti.si