

# Residual Current Circuit Breaker With Integral Overcurrent Protection

Zaščitno stikalo na diferencialni tok z nadtokovno zaščito  
Zaščitna sklopka na diferencialnu struju sa nadstrujnom  
zaštitom

## KZS 1M



Edino zaščitno stikalo na diferencialni tok z nadtokovno zaščito v velikosti 1 modula, s kratkostično zmogljivostjo 6kA in preklapljanjem ničelnega pola na svetu

Jedina zaštitna sklopka na diferencialnu struju sa nadstrujnom zaštitom, u veličini 1 modula, kratkospojne moći 6kA i rasklapanjem nultog pola na svijetu



**The only RCBO with  
18 mm width, 6kA  
short circuit capacity,  
switched neutral line  
and trip toggle posi-  
tion in the world**

**Recommended for use in installations with high level of additional protection required (bathrooms, hospitals, kindergartens etc).  
Used for fault and additional protection.**

✓ Combining the features of miniature circuit breaker and residual current circuit breaker

✓ Added protection against pulsating DC fault current

✓ Version with operating temperature down to  $-35^{\circ}\text{C}$  also available

✓ 1-module housing (18 mm), with switched neutral line

✓ Functionally dependent on line voltage, minimum supply voltage 90V

✓ Real contact position indication for easier identification, whether RCBO is in ON or OFF position

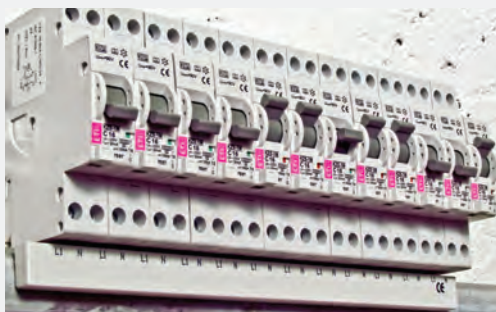
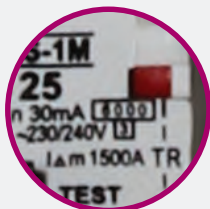
✓ Energy limiting class 3: highest energy limiting performance for optimal protection of cable insulation and maximally reducing risk of fire and other damage

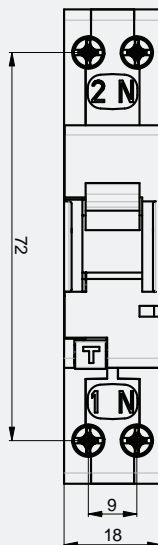
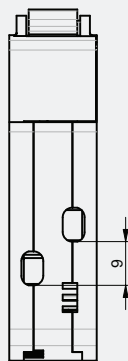
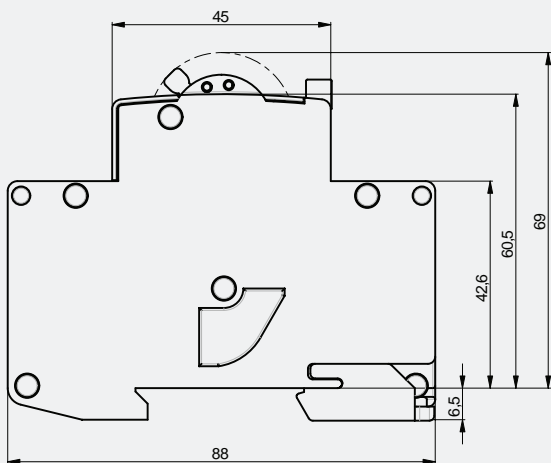
✓ In case of overcurrent or differential current, the button moves to the "trip" (middle) position. In case of manual turn off, the button moves to the "off" (lowest) position.

✓ All necessary technical and installation information can be found on the front and side of the device

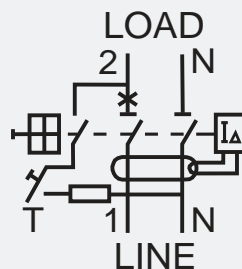
✓ The terminals accept not only wires but also time saving busbars

✓ Advanced method of mounting enables an easy removal of single RCBO without disconnecting other units from the busbar





Rated voltage $U_n$	230 Va.c.
Rated current $I_n$	6-25 A
Rated frequency $f_n$	50 Hz
Rated short-circuit capacity	6.000 A
Back-up fuse	100 A gG
Tripping characteristic	B or C
Rated residual current $I_{\Delta n}$	10, 30, 100 mA
Type of residual release	A
Terminals	1-10 mm <sup>2</sup>
Width	18 mm
Standard	IEC 61009



# Commercial information

## Prodajne informacije

### Komercijalni podaci

KZS 1M					
I <sub>n</sub> [A]	I <sub>Δn</sub> [A]	Code No. B	Code No. C	Weight [g]	Pack. [pcs]
6	0,01	002175411	002175421	115	1/12
10	0,01	002175412	002175422		
13	0,01	002175413	002175423		
16	0,01	002175414	002175424		
20	0,01	002175415	002175425		
25	0,01	002175416	002175426		
6	0,03	002175201	002175221		
10	0,03	002175202	002175222		
13	0,03	002175203	002175223		
16	0,03	002175204	002175224		
20	0,03	002175205	002175225		
25	0,03	002175206	002175226		
6	0,1	002175431	002175441		
10	0,1	002175432	002175442		
13	0,1	002175433	002175443		
16	0,1	002175434	002175444		
20	0,1	002175435	002175445		
25	0,1	002175436	002175446		

