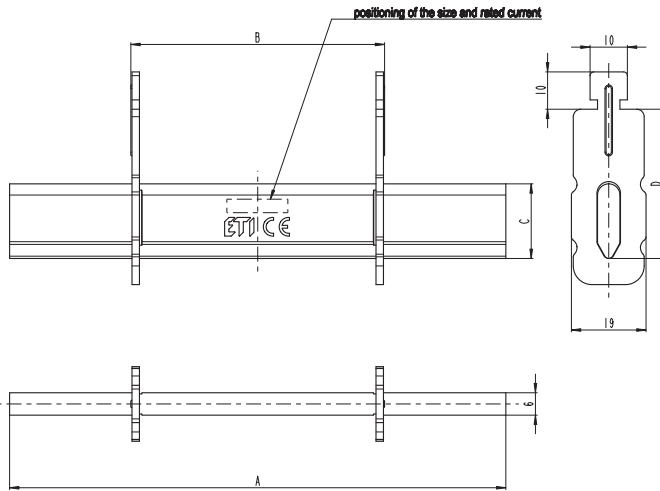


Accessories

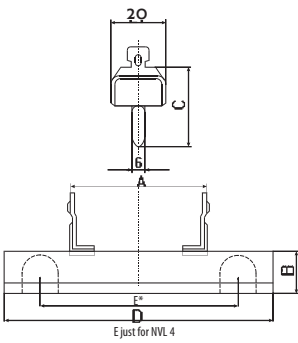
NV separator - Drawing A

Type	dimension				
	I _N (A)	A	B	C	D
NV L 00	160	77,5	49	15	35
NV L 0	160	125	68	15	35
NV L 1	250	133	68	20	40
NV L 2	400	148	68	26	48
NV L 3	630	148	68	33	60

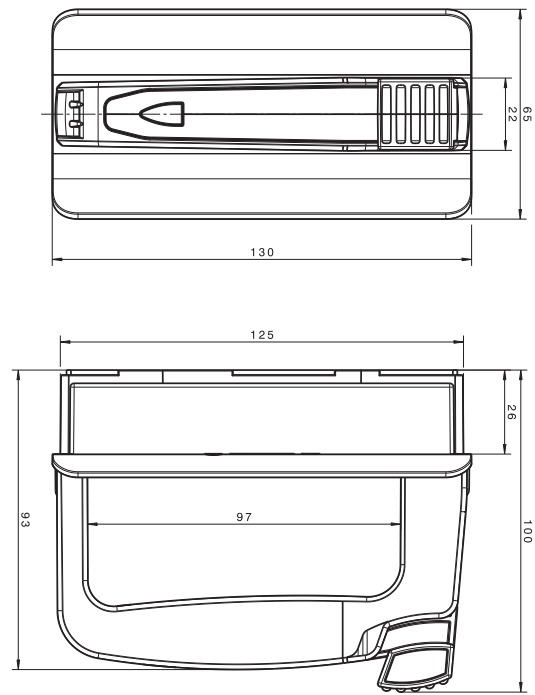


NV separator - Drawing B

type	dimension				
	A	B	C	D	E
NV L 4	68	51	87	200	150
NV L 4a	89	50	86	200	-

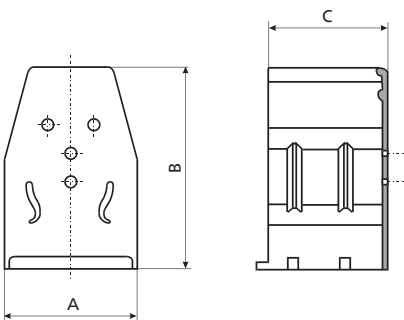


VRRN 00-3 dimension



Insulating sleeve of contact spring PK and PP

type	dimension		
	A	B	C
PP 00	32	68	41
PK 1	40	52	33
PK 2	44	63	40
PK 3	44	67	40



Base separating element

type	dimension	
	A	B
PP 00, PK 00	125	83
PK 0	175	82
PK 1	210	100
PK 2	240	110
PK 3	250	110

