

Fuse Load Break Switch FLBS

Description

FLBS is manually operated 3 pole fuse combination switch in range 125 to 630A. It makes and breaks on load and provides safety isolation and protection against overcurrent for any low voltage electrical circuit. FLBS have been designed, qualified and tested according to the criteria defined by standards: IEC(EN) 60947-3, IEC 60269-1, IEC 60269-2

Advantages

- Complete isolation of the fuse with double breaking per pole (top and bottom of fuse).
- Positive break indication.
- IP2X protection with terminal shrouds front panel.
- High breaking capacity. Protection against overloads and shortcircuits thanks to high breaking capacity fuses (100 kA rms).
- TEST position for testing control circuits without power using auxiliary contacts. In TEST position, the enclosure door can be opened.

Applications

- Motor load break.
- Protection of industrial cabinet.



FLBS 160 3P

Fuse Load Break Switch FLBS

Characteristics according to IEC 60947-3							
Type			FLBS 125	FLBS 160	FLBS 250	FLBS 400	FLBS 630
Current	(I _n)	(A)	125A	160A	250A	400A	630A
Rated insulation voltage	(U _i)	(V)	750	750	750	1000	1000
Rated impulse withstand voltage	(U _{imp})	(kV)	8	8	8	12	12
NFC/DIN fuse size			00/00 C	00/00 C	1	2	3
Thermal current 40°C	(I _{th})	(A)	125	160	250	400	630
Rated operational currents (I _n)	AC-22A/B	400V (A)					630
	AC-23A/B	400V (A)	125	160		400	
	AC-22A/B ⁽¹⁾	690V (A)					500/630
	AC-23A/B ⁽¹⁾	690V (A)	100	125	250	315/400	315/400
	DC-20A/B	220V (A)				400	
	DC-21A/B	220V (A)	125	160			400/630
	DC-22A/B	220V (A)				315	315/630
	DC-23A/B	220V (A)	100	125	200	200/315	
	DC-20A/B ⁽²⁾⁽³⁾	440V (A)				400	400/630
	DC-21A/B ⁽²⁾⁽³⁾	440V (A)	125	160	250		
DC-22A/B ⁽²⁾⁽³⁾	440V (A)				315	315/630	
DC-23A/B ⁽²⁾⁽³⁾	440V (A)	100	125	200	250/315	400/630	
Operational power in AC 23 ⁽⁴⁾	400V AC	kW	63	80	132	220	355
	690V AC	kW	90	110	220	220/295	295/400
Reactive power ⁽⁴⁾	400V AC	(kVAR)	55	75	115	185	290
Fuse protected short-circuit withstand (kA rms prospective)							
Associated fuse rating ⁽⁵⁾		(A)	125	160	250	400	630
Prospective short-circuit current ⁽⁵⁾		(kA)	100	50	100	100	100
Short-circuit capacity							
Rated peak withstand current	0,3 s.	(kA)	20	20	32,5	40	70
Connection							
Minimum Cu cable cross-section	mm ²		35	35	95	185	2x150
Maximum Cu cable cross-section	mm ²		95	95	240	240	2x300
Maximum Cu busbar width (Cu)	mm		20	20	32	45	63
Tightening torque min/max	Nm		8.3/13	8.3/13	20/26	20/26	40/45
Durability (number of operating cycles)	cycles		10 000	10 000	10 000	10 000	80 000
Power dissipation	W/pole		20,3	21,6	41,1	57,4	122
Frame pitch	(mm)		36	36	60	66	94

Category with index A = frequent operation; Category with index B = infrequent operation.

⁽¹⁾ - With terminal shrouds or terminal screen.

⁽²⁾ - Poles cannot be juxtaposed.

⁽³⁾ - 4-pole device with 2 poles in series per polarity.

⁽⁴⁾ - The power value is given for information only, the current values vary from one manufacturer to another.

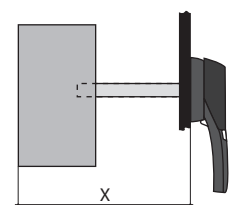
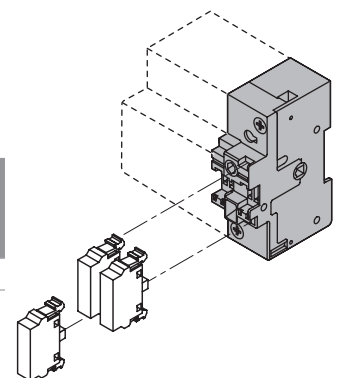
⁽⁵⁾ - For a rated operational voltage U_e = 415 VAC.

Characteristics FLBS-PS

Rating (A)	Operating current I _e (A)			
	250 V AC AC-15	400 V AC AC-15	24 V DC DC-13	48 V DC DC-13
125-630	3	1,8	2,8	1,4

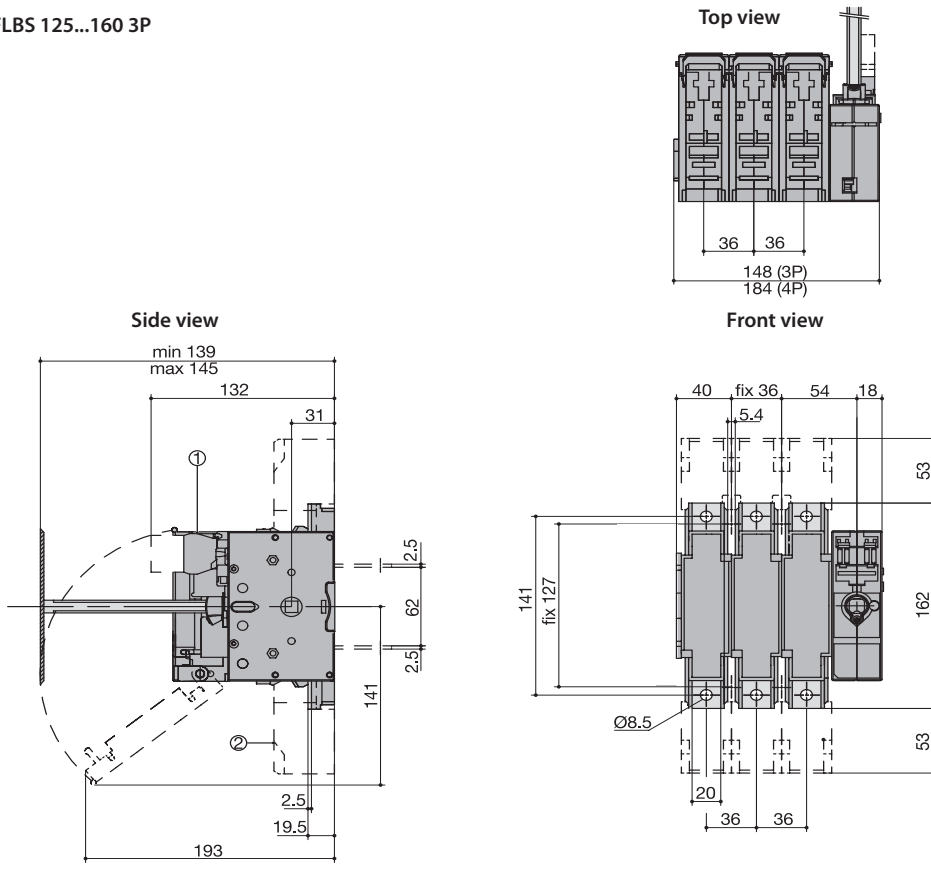
Shaft lengths

Rating (A)	125-160	250-400	630
Fuse size	00	1/2	3
Shaft length (mm)	X	X	X
200	135 - 230	160 - 230	270 - 304
320	135 - 350	160 - 350	270 - 424
400	135 - 430	160 - 430	270 - 504
500	135 - 530	160 - 530	270 - 604



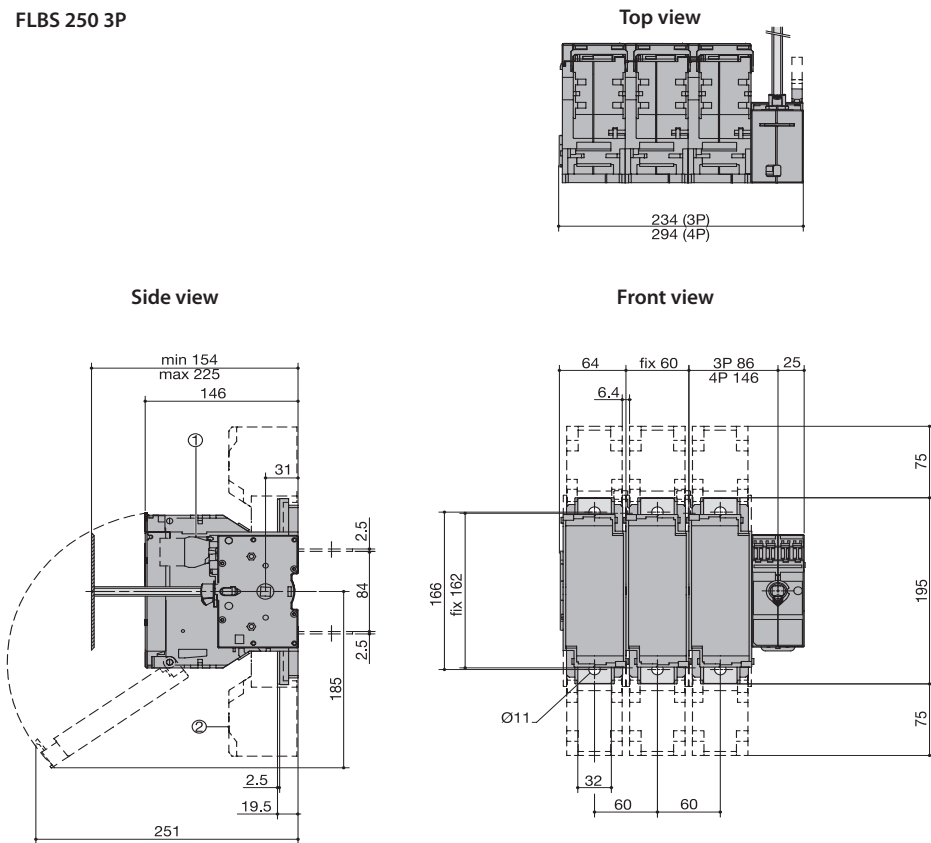
Dimensions

FLBS 125...160 3P



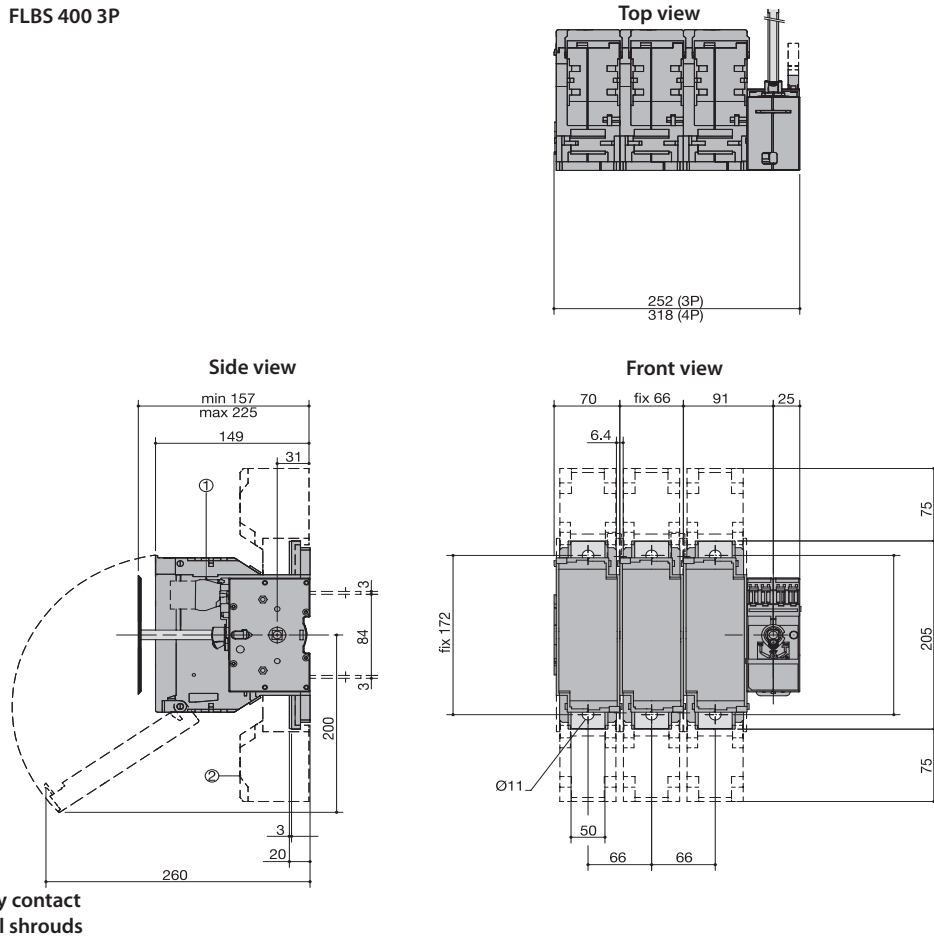
- 1 - Auxiliary contact
- 2 - Terminal shrouds

FLBS 250 3P

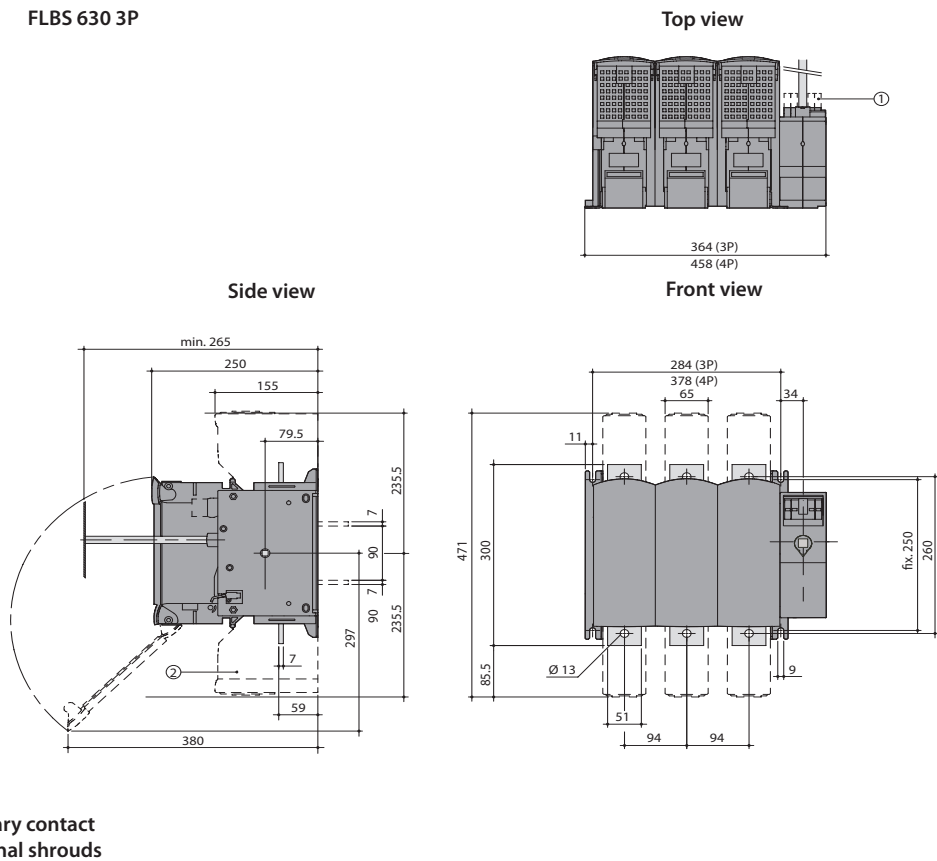


- 1 - Auxiliary contact
- 2 - Terminal shrouds

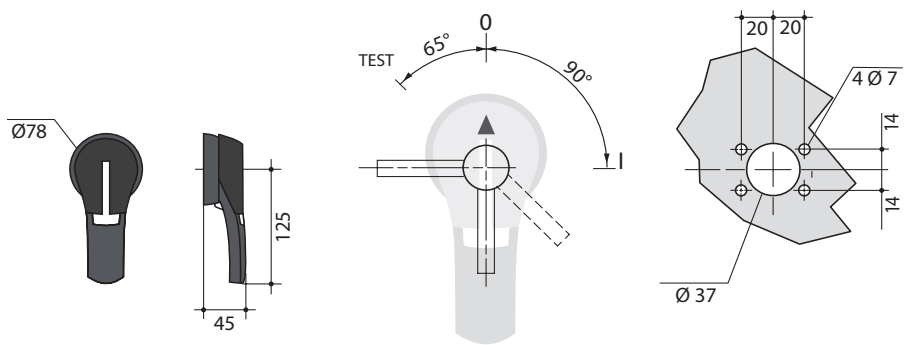
FLBS 400 3P



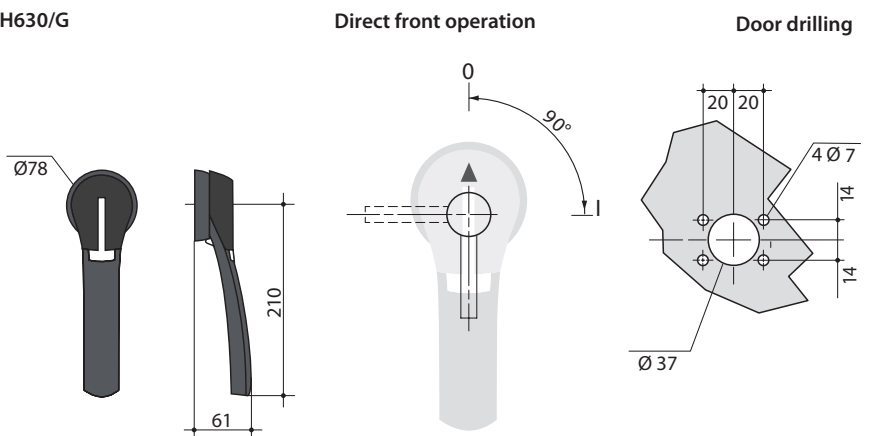
FLBS 630 3P



Handle type LBS-EH630/G ...400/G FLBS



Handle type LBS-EH630/G



Installation of accessories

